


**StarTracker**

## TECHNICAL DATA SHEET



03/2023

1 or 2 ways working	2 ways
Speed range	0,5m/s to 3m/s
Maximum weight charge	120kg
Lateral Conical idler diameter	Ø120
Central cylindrical idler diameter	Ø92
Axles diameter	Ø20mm
Idlers Ball bearings	2x6204 2RS
Rubber quality	110mm <sup>3</sup> ISO4649
Rubber roller	Don't use on oil, solvent or hydrocarbon (on standard)
Rubber rollers temperature range	-10°C / +50°C
Polyurethane quality	25mm <sup>3</sup> ISO4649
Polyurethane rollers temperature range	-10°C / +50°C wet / +70°C dry
Central pivot Ball bearings	2x 6305 2RS
Bolts quality	Stainless steel
Structure quality	Steel ST37 polyurethane coating (optional stainless steel) + zinc plated small parts

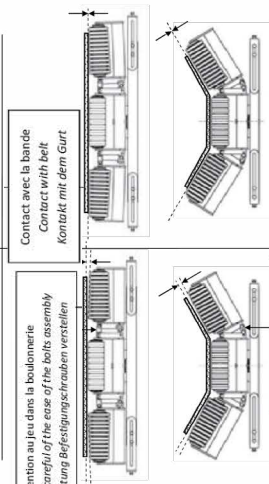
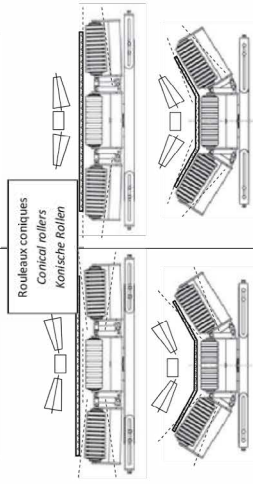
N°	Designation	Quality	Variant(s)	STAR Tracker®	Rep.	Lower belt Long Flat Mode	Upper belt Trough mode	1014/1015 lenght
1014	STAR tracker® Vario® Cylindrical central roller	Rubber+Painted.ST	1024: PUR +Painted.ST	Size 0	1040	500		150/190
1015	STAR tracker® Vario® Conical side roller	Rubber+Painted.ST	1025: PUR +Painted.ST	Size 1	1041 T1	650	500	190
1041	STAR tracker® Structure (1051,1055,1056,1057,1058 included)	Painted.ST	1040: Fixed ; 1042: Reinforced ; 1049: special	Size 2	1041 T2	800	650	240
				Size 3	1041 T3	1000	800	290
1051	Telescopic crutch	Painted.ST		Size 4	1041 T4	1200	1000	360
				Size 5	1041 T5	1400	1200	425
1055	Articulation shift	Painted.ST		Size 6R	1042 TR6	1600	1400	495
1056	Roller lock	Galva.ST		Size 7R	1042 TR7	1800	1600	565
1057	Skirt + rivets	PVC						
1058	Ball Bearing SKF6305	Galva.ST						
1061	STAR tracker® simple bracket (optional)	Painted.ST	1061: Adjustable bracket					
1065	Sliding bloc for Long Flat mode	PUR	1066: Sliding bloc for Trough mode					

# INSTRUCTIONS

VERIFICATION 1 & 2

Bon / Good

Mauvais / Bad



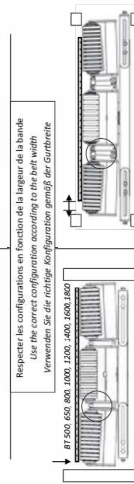
Contact avec la bande  
Contact with belt  
Kontakt mit dem Gurt

Attention au jeu dans la boulonnerie  
Be careful of the ease of the bolts assembly  
Achtung Befestigungsschrauben verstellen

Attention au jeu dans la boulonnerie  
Be careful of the ease of the bolts assembly  
Achtung Befestigungsschrauben verstellen

Bon / Good

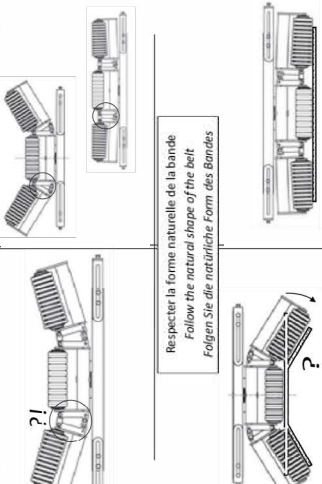
Mauvais / Bad



Respecter les configurations en fonction de la largeur de la bande  
Use the correct configuration according to the belt width  
Verwenden Sie die richtige Konfiguration gemäß der Gurbreite

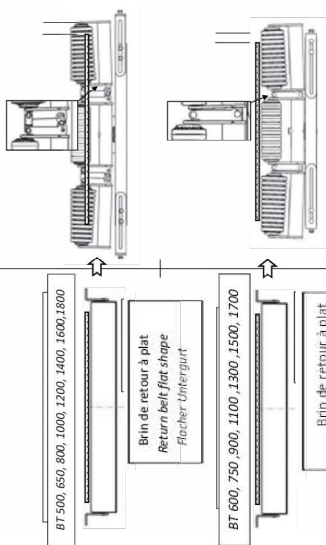
BT 500, 650, 800, 1000, 1200, 1400, 1600, 1800

N'utiliser pas des configurations hors standard hybrides ou improvisées. Don't use hybrid or improvised non-standard configuration  
Verwenden Sie keine hybriden oder improvisierten Nicht-Standard-Konfiguration



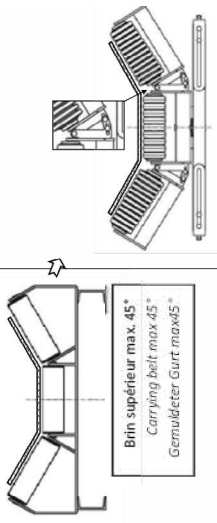
Respecter la forme naturelle de la bande  
Follow the natural shape of the belt  
Folgen Sie die natürliche Form des Bandes

MODE

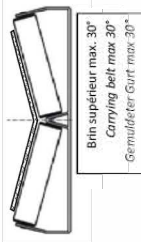


Brin de retour à plat  
Return belt flat shape  
flacher Untergurt

Brin de retour à plat  
Return belt flat shape  
flacher Untergurt



Brin supérieur max. 45°  
Carrying belt max 45°  
Gemuldeter Gurt max 45°

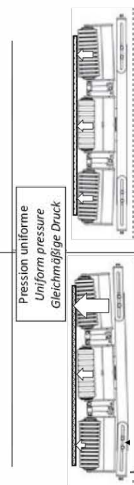


Brin supérieur max. 30°  
Carrying belt max 30°  
Gemuldeter Gurt max 30°

VERIFICATION 3, 4 & 5

Bon / Good

Mauvais / Bad

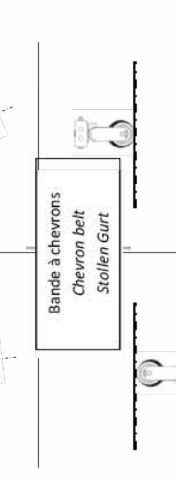


Pression uniforme  
Uniform pressure  
Gleichmäßige Druck

Attention au jeu dans la boulonnerie  
Be careful of the ease in the bolts assembly  
Achtung Befestigungsschrauben verstellen

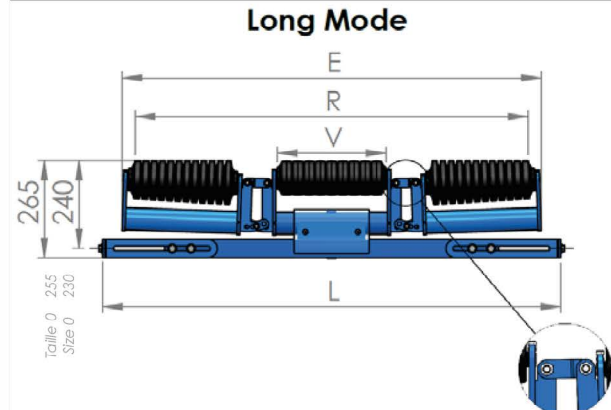
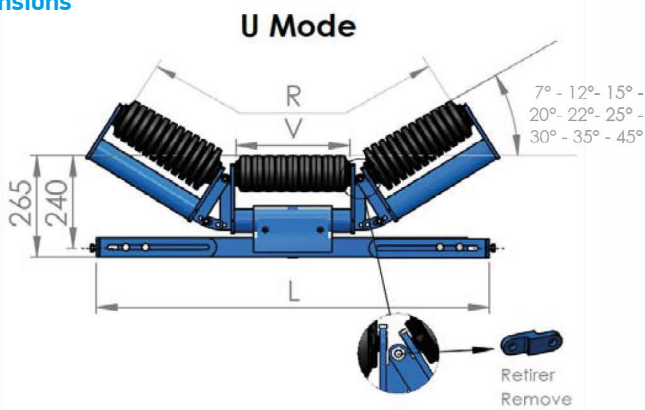


Perpendiculaire à la bande  
Perpendicular with the belt  
Senkrecht zum Gurt

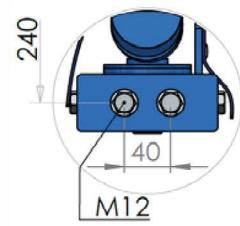


Bande à chevrons  
Chevron belt  
Stollen Gurt

## Dimensions



Taille / Size	U Mode		Long Mode				kg
	R	Bande/Belt	R	Bande/Belt	E	L min. L max.	
0			590	<b>500</b>	655	680 1070	150/190 35 kg
1	640	<b>500</b>	750	<b>650</b>	820	620 1010	190 35 kg
2	765	<b>650</b>	880	<b>800</b>	970	770 1160	240 40 kg
3	925	<b>800</b>	1040	<b>1000</b>	1120	920 1310	290 45 kg
4	1125	<b>1000</b>	1240	<b>1200</b>	1330	1120 1510	360 50 kg
5	1325	<b>1200</b>	1440	<b>1400</b>	1540	1320 1710	425 55 kg
6R	1540	<b>1400</b>	1655	<b>1600</b>	1750	1520 1910	495 60 kg
7R	1755	<b>1600</b>	1870	<b>1800</b>	1960	1720 2110	565 65 kg



WA Manutention © 2018